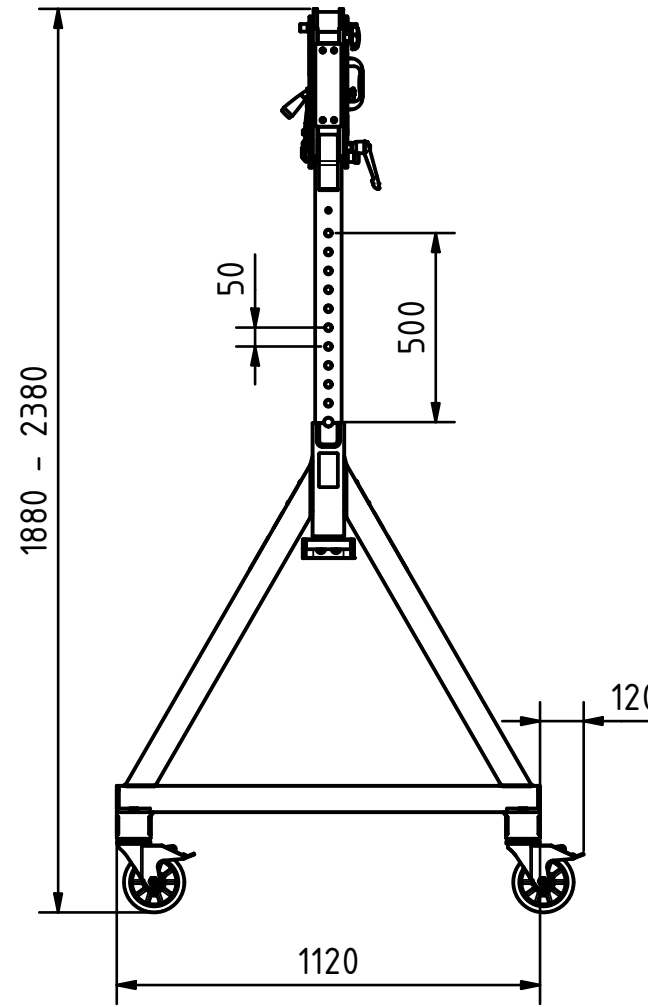
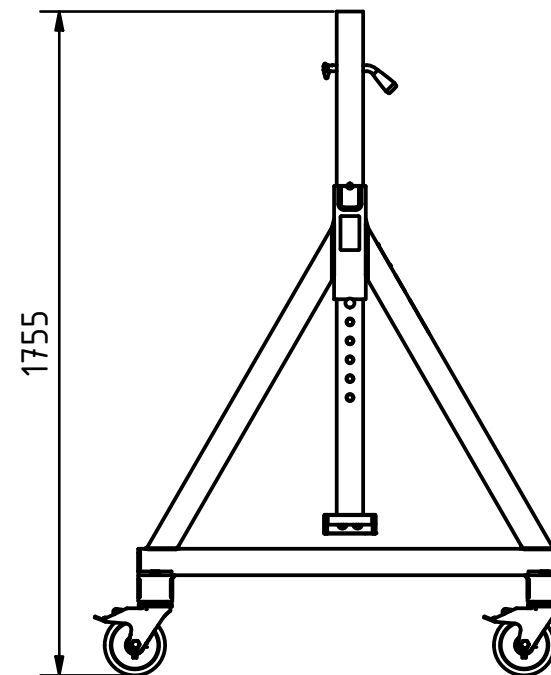
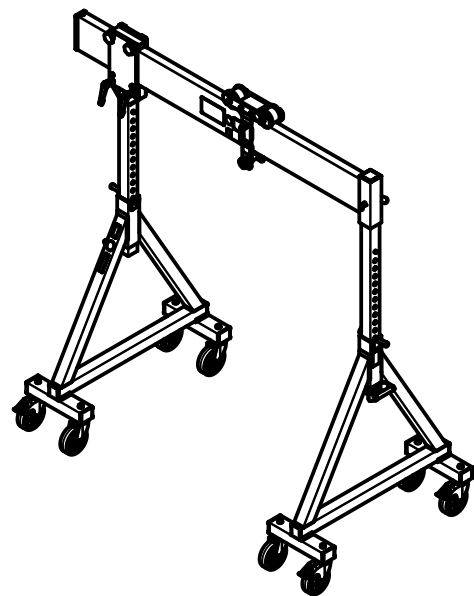


Side frame without adjuster



Weights of individual components:



- 38.5 kg Side frame Mini (moveable) with adjuster
- 35 kg Side frame Mini (moveable) without adjuster
- 22 kg AGC-Beam-200
- 9 kg Trolley 1500kg



Load capacity: 1000 kg

Weight: 104.5 kg

Parts list			
Pos.	Qty.	Item number	Designation
1	1	121100	Side frame Mini (moveable) with adjuster
2	1	121200	Side frame Mini (moveable) without adjuster
3	1	212000	AGC-Beam-200
4	1	222000	Trolley 1500kg

Status: Released for customer		Weight: -	Scale: 1 : 20	A3
Edited by: Robert Feltes		 <b>Leichtbau-Portalkrane</b> Marie-Curie-Straße 9 D-40822 Mettmann +49 (0) 2104 8184120 www.feltes-gmbh.de	Titel: AGC-ML-Mini-1000-200	
Date: 05.01.2026			Product group: Crane moveable under load	Rev. 02
Sheet: 1 - 1		Item number: <b>121000-2</b>	Customer: -----	