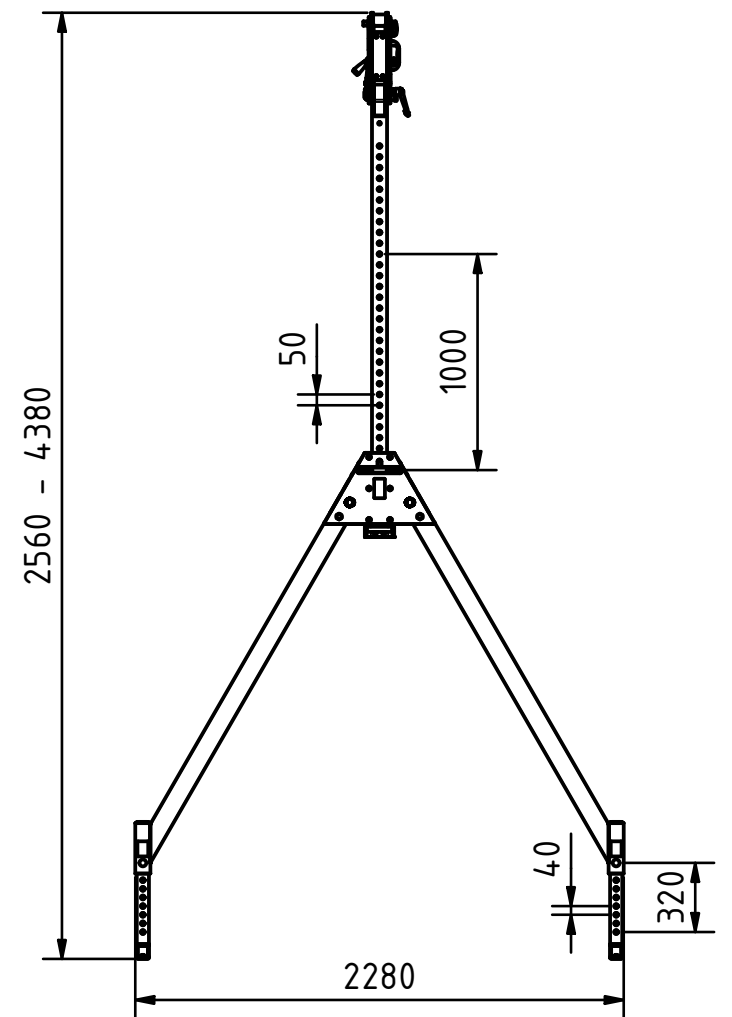
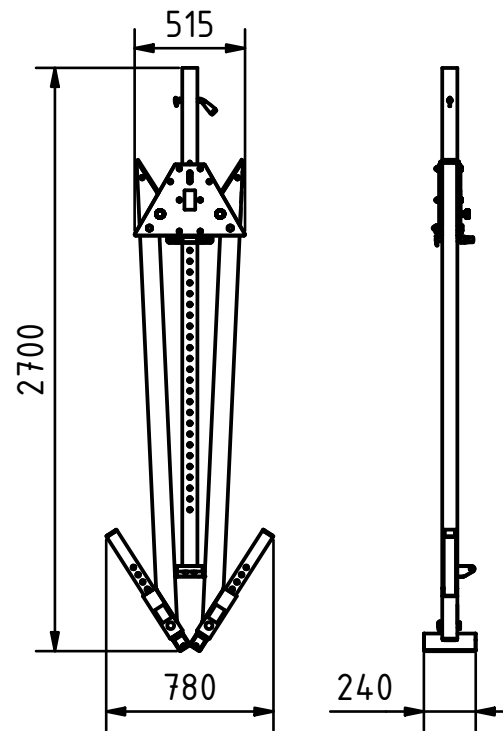


Weights of individual components:

- 50 kg Side frame Maxi (foldable) with adjuster
- 46,5 kg Side frame Maxi (foldable) without adjuster
- 78,5kg AGC-Beam-800
- 9 kg Trolley 1500kg



Side frame without adjuster folded



Load capacity: 750 kg

Weight: 184 kg

Parts list			
Pos.	Qty.	Item number	Designation
1	1	113100	Side frame Maxi (foldable) with adjuster
2	1	113200	Side frame Maxi (foldable) without adjuster
3	1	218000	AGC-Beam-800
4	1	222000	Trolley 1500kg
Status: Released for customer		Weight: 179,627 kg	Scale: 1 : 35
Edited by: Robert Feltes		Titel: AGC-FL-Maxi-750-800	
Date: 05.01.2026		Product group: Crane Foldable	
Sheet: 1 - 1		Item number: 113000-8	
		Customer: -----	