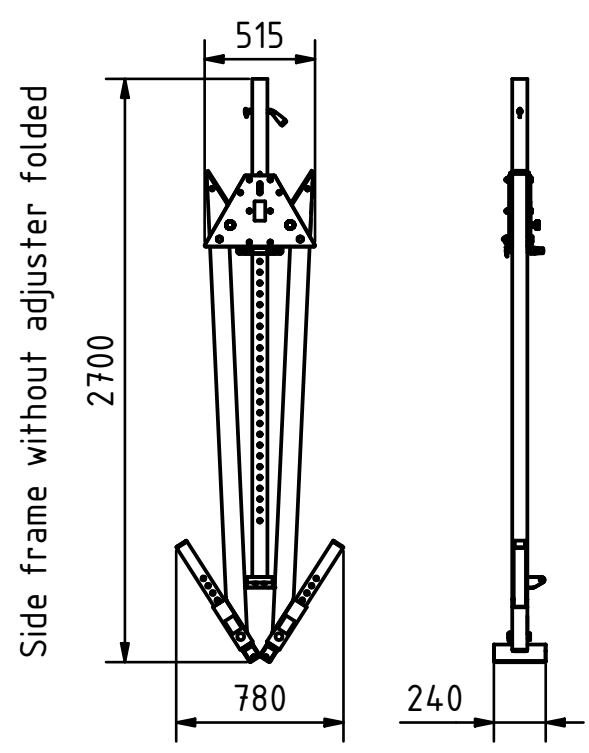
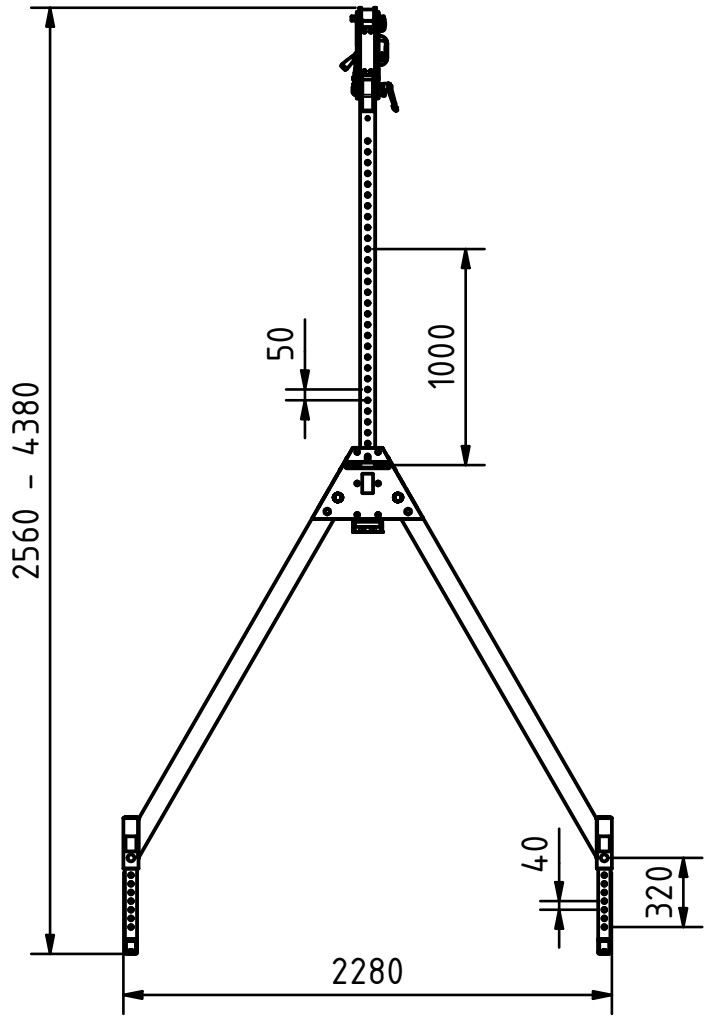



- Weights of individual components:**
 50 kg Side frame Maxi (foldable) with adjuster
 46,5 kg Side frame Maxi (foldable) without adjuster
 70 kg AGC-Beam-700
 9 kg Trolley 1500kg



Load capacity: 750 kg

Weight: 175,5 kg

Parts list			
Pos.	Qty.	Item number	Designation
1	1	113100	Side frame Maxi (foldable) with adjuster
2	1	113200	Side frame Maxi (foldable) without adjuster
3	1	217000	AGC-Beam-700
4	1	222000	Trolley 1500kg

Status: Released for customer		Weight: -	Scale: 1 : 35	A3
Edited by: Robert Feltes		 Leichtbau-Portalkrane Marie-Curie-Straße 9 D-40822 Mettmann +49 (0) 2104 8184120 www.feltes-gmbh.de	Titel: AGC-FL-Maxi-750-700	
Date: 05.01.2026			Product group: Crane Foldable	
Sheet: 1 - 1		Item number: 113000-7		Rev. 02
		Customer: -----		